

JFS SERIES

MCKENNABOILER 

ESTABLISHED IN 1921



HIGH PRESSURE BOILER

Capacities from 5 to 150BHP.
220 to 6300 MBTU/HR.

Steam pressures from 15 to 150 PSI.

Skid Mounted

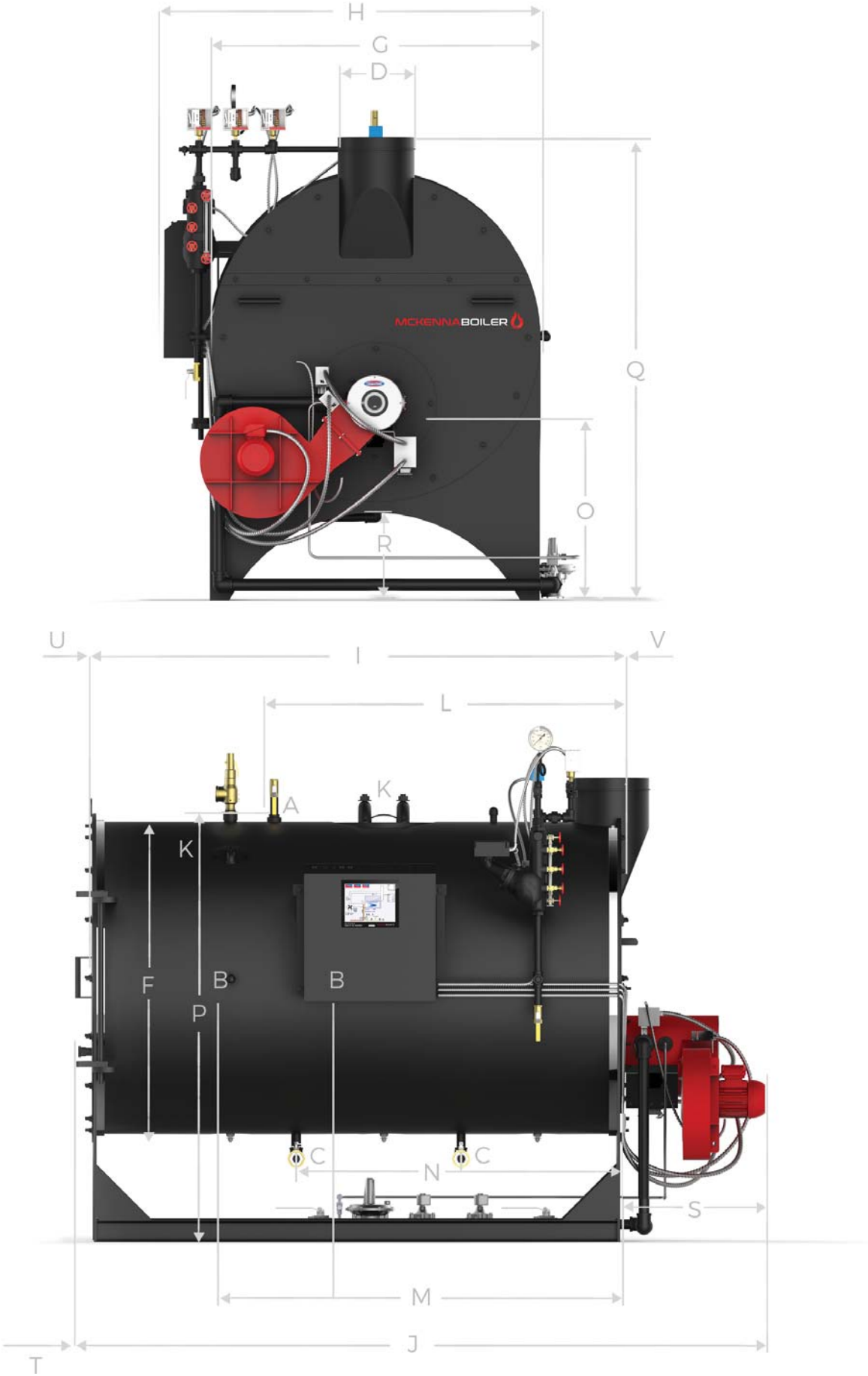
Available with Low NOx



“Surpasses industry standards for heating surface, higher **efficiency**,
ease of operation, **reliability**, and most of all, **safety**.”

BOILER SPECIFICATIONS

Corresponding Charts on following pages



BOILER SPECIFICATIONS

Reference Image on previous page
 Remaining Boiler HP Specs continue on following page

BOILER HORSEPOWER			5	10	15	20	25	30	40
Heating Surface	Fireside	SQ.FT.	26	65	98	120	157	184	217
Steam Output	From & @ 212°F	LBS/HR	175	350	520	700	870	1050	1380
Gross Output		MBH	176	340	508	680	848	1008	1344
Firing Rate Gas	1,000 BTU	CFH	220	425	635	850	1060	1260	1680
Firing Rate LP Gas	91,500 BTU	GPH	2, 3	4, 6	6, 9	9, 2	11, 5	13, 8	18, 4
Firing Rate Oil #2	140,000 BTU	GPH	1, 5	3	4, 5	6	7, 5	9	12
Firing Rate Oil #5 & #6	150,000 BTU	GPH	1, 4	2, 8	4, 2	5, 6	7	8, 4	11, 2
A Steam Outlet Size O.D.	150 PSI	IN	3/8	1	1 ¼	1 ¼	1 ¼	1 ½	1 ½
B Feedwater Connection		IN	1	1	1	1	1	1	1
C Blowdown Connection		IN	(2) 1	(2) 1	(2) 1	(2) 1	(2) 1	(2) 1	(2) 1 ½
D Stack Outlet Size O.D.		IN	8	10	10	10	10	10	12
E Furnace O.D.		IN	8	12 ¾	12 ¾	12 ¾	12 ¾	12 ¾	16
F Shell I.D.		IN	24	30	34	34	36	38	42
G Width Without Trim		IN	28	34	38	38	40	42	48
H Width With Trim		IN	38	44	48	48	50	52	58
I Length, Front to Rear		IN	45	60	60	72	72	78	90
J Length Overall		IN	65	92	92	104	104	110	122
K Inspection Port		IN	(2) 3x4	(3) 4x6	(3) 4x6	(3) 4x6	(3) 4x6	(3) 4x6	(6) 4x6
L Steam Supply Location		IN	31	42	42	53 ½	53 ½	53 ½	60
M Water Supply Location		IN	31	42	42	53 ½	36, 53 ½	36, 53 ½	43, 61
N Blowdown Location		IN	8, 37	15, 40	15, 40	16, 53	16, 53	16, 53	20, 64
O Floor to Center of Burner		IN	18	21	21	21	23	23	24
P Supply Height		IN	37	43	48	48	50	52	56
Q Stack Height		IN	42	48	53	53	55	57	61
R Shell to Floor Height		IN	10	10	10	10	10	10	12
S Burner Projection		IN	23	32	32	32	32	32	32
T Door Swing/Removal		IN	30	36	36	36	36	36	48
U Tube Removal		IN	36	46	46	52	52	52	64
V Tube Removal		IN	38	48	48	56	56	56	70
Water Capacity		GAL	39	104	124	150	171	225	275
Shipping Weight		LBS	1250	2250	2975	3225	3850	4125	6100

BOILER SPECIFICATIONS

BOILER HORSEPOWER			50	60	70	80	100	125	150	
Heating Surface	Fireside	SQ.FT.	328	414	414	542	608	740	750	
Steam Output	From & @ 212°F	LBS/HR	1750	2070	2415	2760	3500	4312	5175	
Gross Output		MBH	1680	2016	2352	2688	3360	4200	5021	
Firing Rate Gas	1,000 BTU	CFH	2100	2520	2940	3360	4200	5250	6300	
Firing Rate LP Gas	91,500 BTU	GPH	23	27, 5	32, 1	36, 7	45, 9	57, 3	68, 8	
Firing Rate Oil #2	140,000 BTU	GPH	15	18	20, 7	24	30	37, 5	45	
Firing Rate Oil #5 & #6	150,000 BTU	GPH	14	16, 8	19, 3	22, 4	28	35	42	
A	Steam Outlet Size O.D.	150 PSI	IN	2	2	2 1/2	2 1/2	3	4	4
B	Feedwater Connection		IN	1	1	1 ¼	1 ¼	1 ¼	1 ½	1 ½
C	Blowdown Connection		IN	(2) 1 ½	(2) 1 ½	(2) 1 ½	(2) 1 ½	(2) 1 ½	(2) 1 ½	(2) 1 ½
D	Stack Outlet Size O.D.		IN	14	14	16	16	16	16	16
E	Furnace O.D.		IN	20	20	20	20	24	24	24
F	Shell I.D.		IN	54	54	54	54	60	60	66
G	Width Without Trim		IN	60	60	60	60	66	66	72
H	Width With Trim		IN	72	72	72	72	78	78	84
I	Length, Front to Rear		IN	96	150	150	150	156	156	156
J	Length Overall		IN	128	155	155	194	206	206	212
K	Inspection Port		IN	(5) 4x6 (1) 12x16	(5) 4x6 (1) 12x16	(5) 4x6 (1) 12x16	(5) 4x6 (1) 12x16	(5) 4x6 (1) 12x16	(5) 4X6 (1) 12X16	(5) 4X6 (1) 12X16
L	Steam Supply Location		IN	63	80	80	85	85	85	85
M	Water Supply Location		IN	43, 71	51, 88	51, 88	60, 104	45, 75	45, 75	45, 75
N	Blowdown Location		IN	29, 59	23, 80	23, 80	39, 87	39, 87	39, 87	39, 87
O	Floor to Center of Burner		IN	32	32	32	32	40	38	38
P	Supply Height		IN	63	76	76	76	84	84	90
Q	Stack Height		IN	68	812	81	81	89	89	95
R	Shell to Floor Height		IN	15	15	15	15	18	18	18
S	Burner Projection		IN	32	38	38	42	44	44	44
T	Door Swing/Removal		IN	60	60	60	60	66	66	72
U	Tube Removal		IN	60	72	72	112	112	112	112
V	Tube Removal		IN	66	84	84	119	119	119	119
	Water Capacity	GAL	440	570	570	620	658	720	824	
	Shipping Weight	LBS	7375	8250	9400	10300	12450	13000	14500	

BOILER DESIGN

2-Pass Dry-Back design offers full access to the boiler tubes, tube sheet and furnace for easy maintenance.

Burner

Forced Draft Power Burner with factory pre-piped, wired and tested fuel configurations for natural gas, propane (LP) gas, No.2 (diesel) oil, or combination of both gas/oil.

BOILER TRIM

Safety relief valve, operating pressure control, high limit pressure control with manual reset, steam pressure gauge, combination pump control and low water cut-off with gauge glass assembly and drain valve, auxiliary low water cut-off with manual reset.



Rugged Construction and Design for Easy Maintenance and Extra-Long Life



Standard Features

- * Boiler is a two-pass, dry-back horizontal firetube boiler. Engineered, built and stamped in accordance with the latest edition of the ASME code, and listed through the National Board of Boiler and Pressure Vessel Inspectors.
- * Large heating surface area offers an increased combustion chamber for a more complete combustion and higher efficiency.
- * Exhaust stack is front mounted with a slip-on stack connector.
- * Full access to the boiler tubes is available with a hinged rear door and removable front door.
- * Openings for clean out and inspection of waterside are provided with 4" x 6" hand holes and with 12" x 16" manholes (50HP & up).
- * Premium high-density fiberglass insulation, shielded with 22 gauge galvanized jacketing (stainless steel option available).
- * Hi-temperature textured paint to resist fading.
- * Firetubes are rolled and beaded on all boilers.
- * Completely wired and piped for more convenient installation.
- * Water column complete with gauge glass, tri-cocks and a combination pump controller and primary low water cut-off.
- * Modulating pressure controls available.
- * Secondary auxiliary L.W.C.O. probe, steam pressure gauge and test cock.
- * Solid-state combination pressure control, automatic operating control, and high-limit manual reset control.
- * Pressure relief valve(s) per ASME code.

MCKENNA STRONG FOR OVER 95 YEARS

MCKENNA BOILER 



1510 NORTH SPRING ST.
LOS ANGELES, CA 90012

TEL: 323.221.1171
FAX: 323.221.7427

www.mckennaboiler.com